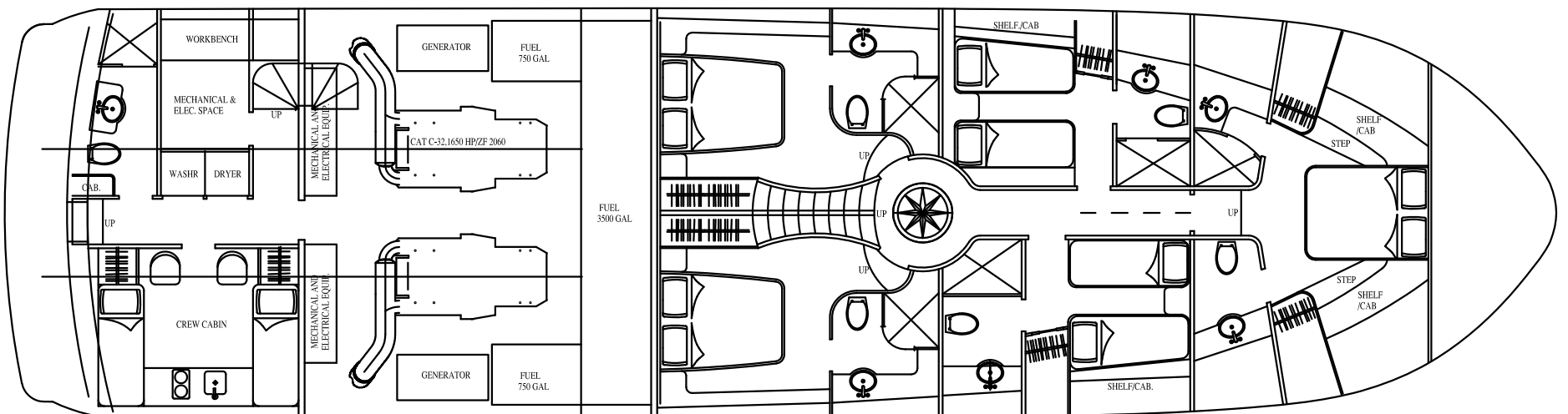
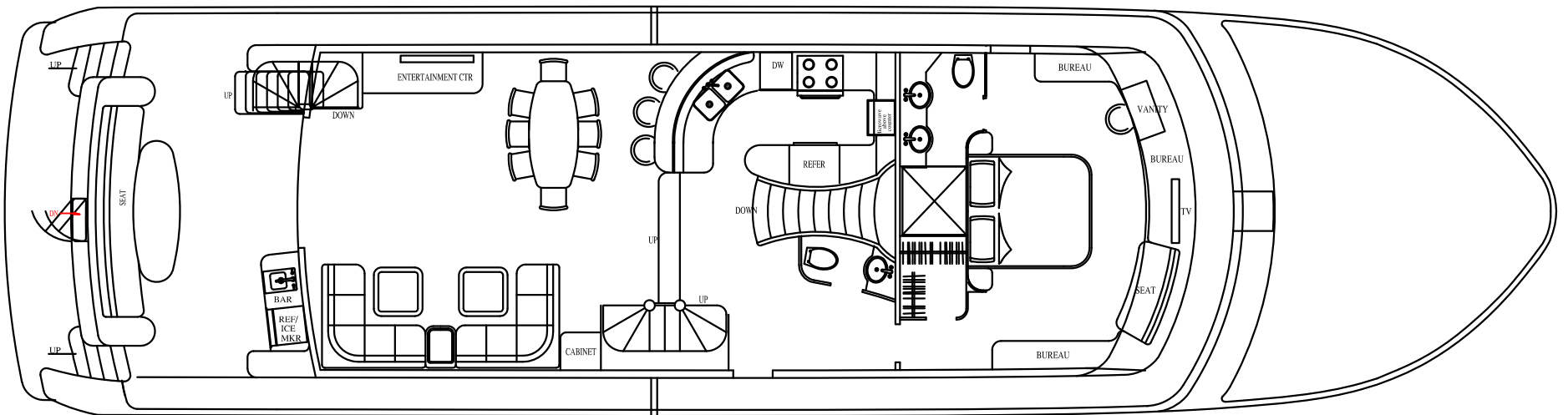
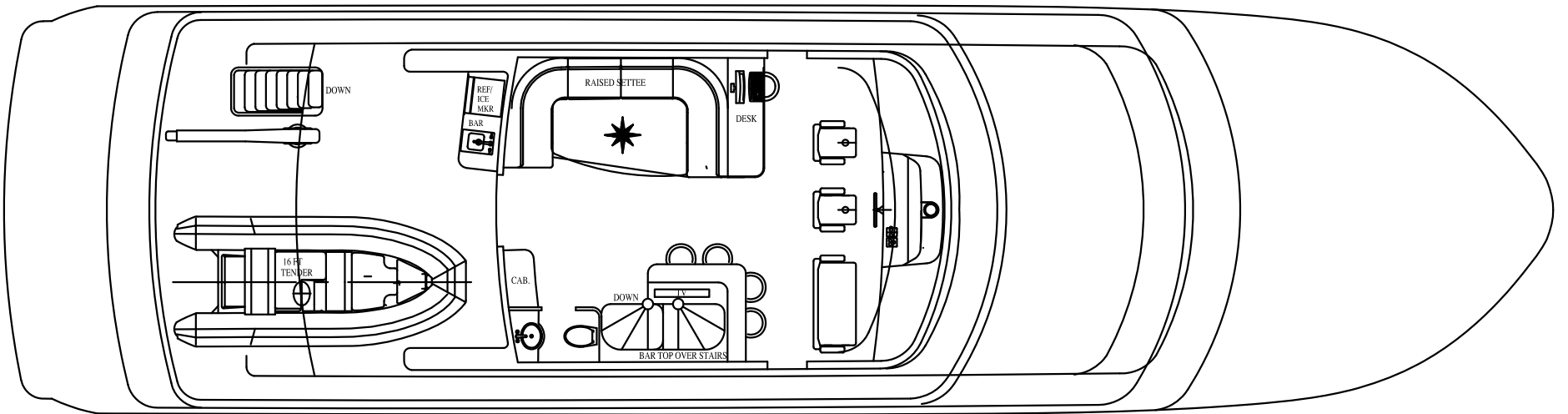
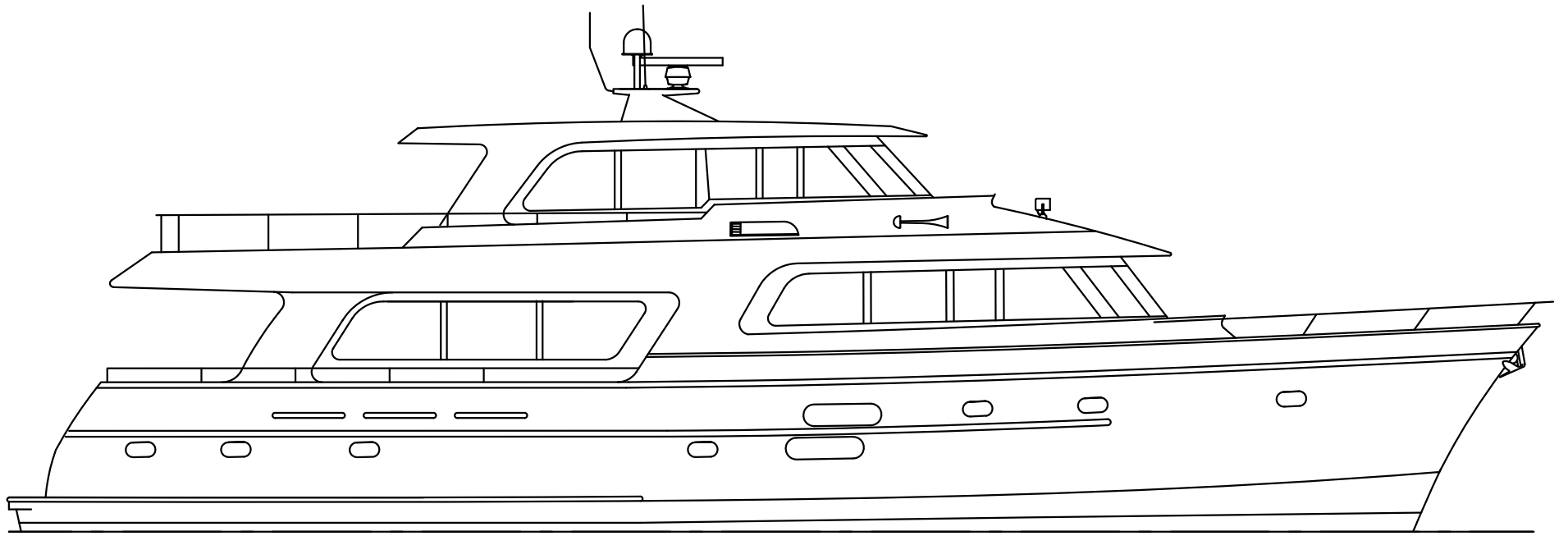


REVISIONS

REVISION	ZONE	DESCRIPTION	ISSUED ON
-	-	-	-



**HAMPTON YACHTS**  
**BUILDING CO., LTD.**

*Endurance 870 Skylounge L.R.C.*

DRAWER:		SCALE: 1/8"=1'-0"
CHECK:-		REVISION: R0
DRAWING NUMBER: 870-A01		DATE: 2012/6/15